

2A, Ultra Low Dropout (0.24V Typical) Linear Regulator

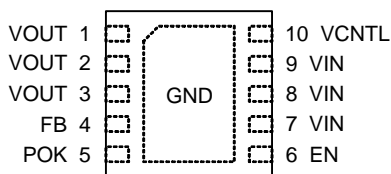
Features

- **Ultra Low Dropout**
- 0.24V (typical) at 2A Output Current
- **0.8V Reference Voltage**
- **High Output Accuracy**
- $\pm 1.5\%$ Over Line, Load, and Temperature Range
- **Fast Transient Response**
- **Adjustable Output Voltage**
- **Power-On-Reset Monitoring on Both VCNTL and VIN Pins**
- **Internal Soft-Start**
- **Current-Limit and Short Current-Limit Protections**
- **Thermal Shutdown with Hysteresis**
- **Open-Drain VOUT Voltage Indicator (POK)**
- **Low Shutdown Quiescent Current (< 30mA)**
- **Shutdown/Enable Control Function**
- **Simple TDFN3x3-10 Package with Exposed Pad**
- **Lead Free and Green Devices Available**
(RoHS Compliant)


Applications

- **Motherboards, VGA Cards**
- **Notebook PCs**
- **Add-in Cards**

Pin Configuration



TDFN3x3-10
(Top View)

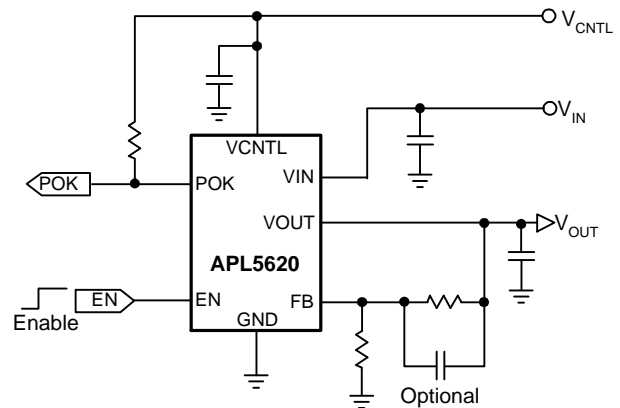
 = Exposed Pad
(connected to ground plane for better heat dissipation)

General Description

The APL5620 is a 2A ultra low dropout linear regulator. The IC needs two supply voltages, one is a control voltage (V_{CNTL}) for the control circuitry, the other is a main supply Voltage (V_{IN}) for power conversion, to reduce power dissipation and provide extremely low dropout voltage. The APL5620 integrates many functions. A Power-On-Reset (POR) circuit monitors both supply voltages on V_{CNTL} and V_{IN} pins to prevent erroneous operations. The functions of thermal shutdown and current-limit protect the device against thermal and current over-loads. A POK indicates that the output voltage status with a delay time set internally. It can control other converter for power sequence. The APL5620 can be enabled by other power systems. Pulling and holding the EN voltage below 0.4V shuts off the output.

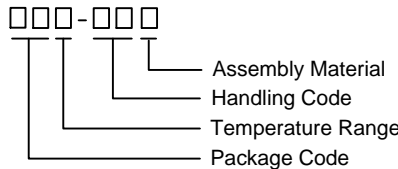
The APL5620 is available in a TDFN3x3-10 package which features small size as TDFN3x3-10 and an Exposed Pad to reduce the junction-to-case resistance to extend power range of applications.

Simplified Application Circuit



ANPEC reserves the right to make changes to improve reliability or manufacturability without notice, and advise customers to obtain the latest version of relevant information to verify before placing orders.

Ordering and Marking Information

<p>APL5620 □□□-□□□</p>  <p>Assembly Material Handling Code Temperature Range Package Code</p>	<p>Package Code QB : TDFN3x3-10 Operating Ambient Temperature Range I : -40 to 85 °C Handling Code TR : Tape & Reel Assembly Material G : Halogen and Lead Free Device</p>
<p>APL5620 QB : APL 5620 •XXXXX</p>	<p>XXXXX - Date Code</p>

Note: ANPEC lead-free products contain molding compounds/die attach materials and 100% matte tin plate termination finish; which are fully compliant with RoHS. ANPEC lead-free products meet or exceed the lead-free requirements of IPC/JEDEC J-STD-020D for MSL classification at lead-free peak reflow temperature. ANPEC defines “Green” to mean lead-free (RoHS compliant) and halogen free (Br or Cl does not exceed 900ppm by weight in homogeneous material and total of Br and Cl does not exceed 1500ppm by weight).

Absolute Maximum Ratings (Note 1)

Symbol	Parameter	Rating	Unit
V_{CNTL}	VCNTL Supply Voltage (VCNTL to GND)	-0.3 ~ 6	V
V_{IN}	VIN Supply Voltage (VIN to GND)	-0.3 ~ 6	V
V_{OUT}	VOU to GND Voltage	-0.3 ~ $V_{IN}+0.3$	V
	POK to GND Voltage	-0.3 ~ 7	
	EN, FB to GND Voltage	-0.3 ~ $V_{CNTL}+0.3$	V
P_D	Power Dissipation	Internally Limited	W
T_J	Maximum Junction Temperature	150	°C
T_{STG}	Storage Temperature Range	-65 ~ 150	°C
T_{SDR}	Maximum Lead Soldering Temperature, 10 Seconds	260	°C

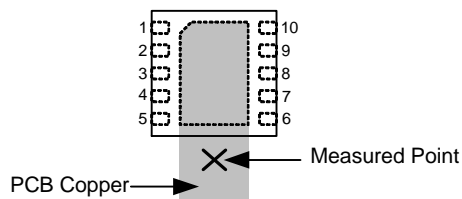
Note 1: Absolute Maximum Ratings are those values beyond which the life of a device may be impaired. Exposure to absolute maximum rating conditions for extended periods may affect device reliability.

Thermal Characteristics

Symbol	Parameter	Typical Value	Unit
θ_{JA}	Junction-to-Ambient Resistance in Free Air ^(Note 2) TDFN3x3-10	50	°C/W
θ_{JC}	Junction-to-Case Resistance in Free Air ^(Note 3) TDFN3x3-10	6	°C/W

Note 2: θ_{JA} is measured with the component mounted on a high effective thermal conductivity test board in free air.

Note 3: The “Thermal Pad Temperature” is measured on the PCB copper area connected to the thermal pad of package.



Recommended Operating Conditions

Symbol	Parameter		Range	Unit
V _{CNTL}	VCNTL Supply Voltage		3.0 ~ 5.5	V
V _{IN}	VIN Supply Voltage		1.2 ~ 5.5	V
V _{OUT}	VOUT Output Voltage (when V _{CNTL} -V _{OUT} >1.7V)		0.8 ~ V _{IN} - V _{DROP}	V
I _{OUT}	VOUT Output Current		0 ~ 2	A
R2	FB to GND		1k ~ 24k	Ω
C _{OUT}	VOUT Output Capacitance	I _{OUT} = 2A at 25% nominal V _{OUT}	8 ~ 770	μF
		I _{OUT} = 1A at 25% nominal V _{OUT}	8 ~ 1400	
		I _{OUT} = 0.5A at 25% nominal V _{OUT}	8 ~ 1700	
ESR _{COUT}	ESR of VOUT Output Capacitor		0 ~ 200	mΩ
T _A	Ambient Temperature		-40 ~ 85	°C
T _J	Junction Temperature		-40 ~ 125	°C

Note 3: Please refer to the typical application circuit.

Electrical Characteristics

Refer to the typical application circuits. These specifications apply over V_{CNTL}=5V, V_{IN}=1.8V, V_{OUT}=1.2V, and T_A=-40~85°C, unless otherwise specified. Typical values are at T_J=25°C.

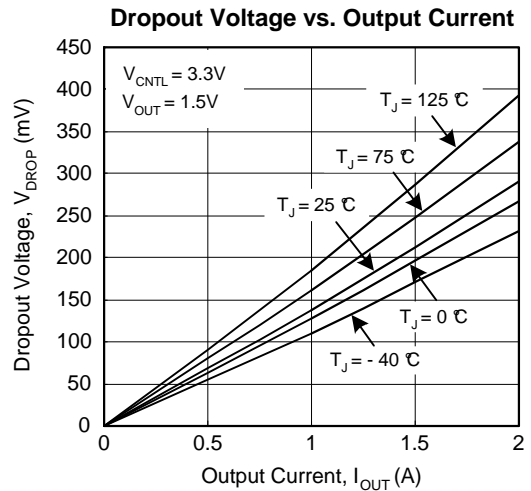
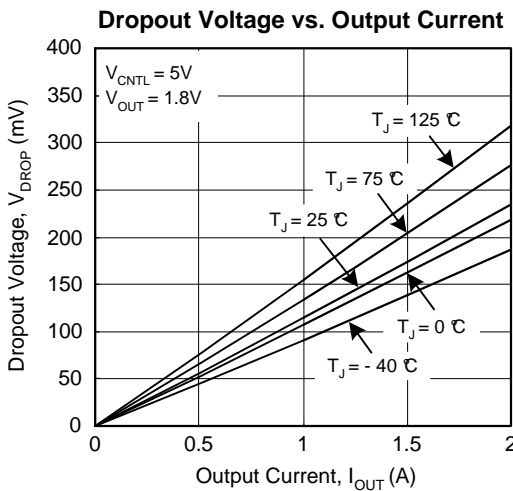
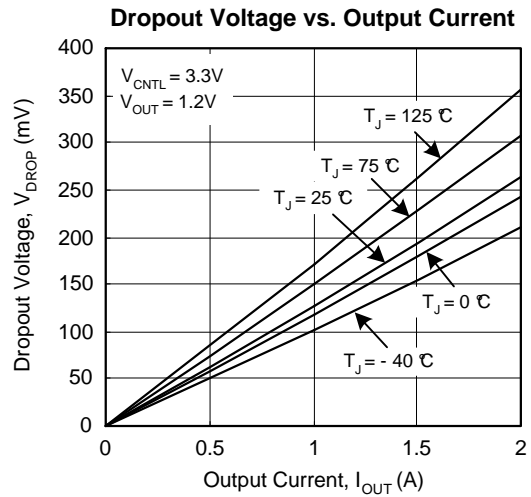
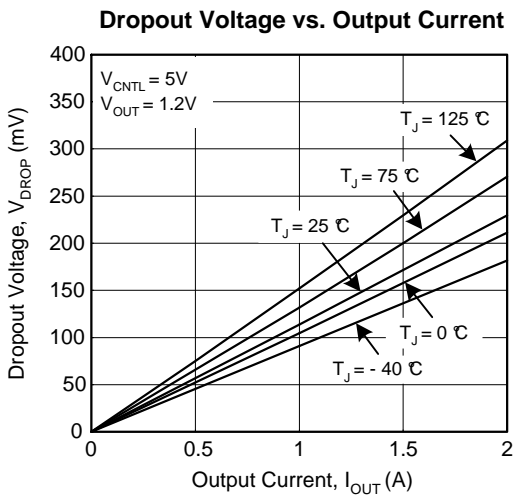
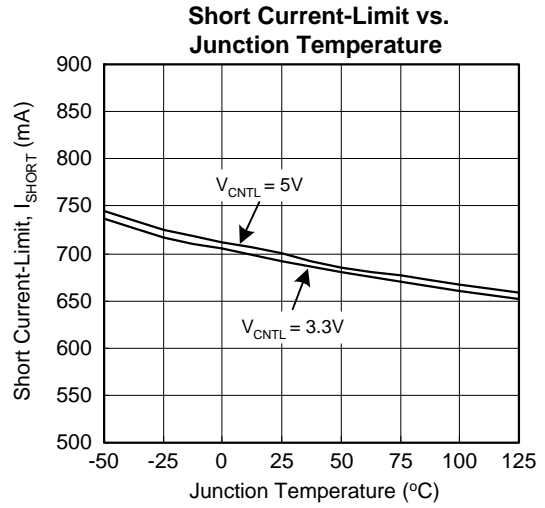
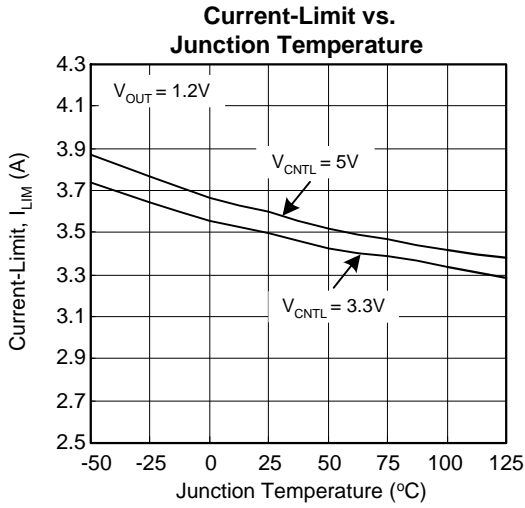
Symbol	Parameter	Test Conditions	APL5620			Unit		
			Min.	Typ.	Max.			
SUPPLY CURRENT								
I _{VCNTL}	VCNTL Supply Current	EN=VCNTL, I _{OUT} =0A	-	1.0	1.5	mA		
I _{SD}	VCNTL Supply Current at Shutdown	EN=GND	-	20	30	μA		
	VIN Supply Current at Shutdown	EN=GND, V _{IN} =5.5V	-	-	1	μA		
POWER-ON-RESET (POR)								
	Rising VCNTL POR Threshold		2.5	2.7	2.9	V		
	VCNTL POR Hysteresis		-	0.4	-	V		
	Rising VIN POR Threshold		0.8	0.9	1.0			
	VIN POR Hysteresis		-	0.5	-	V		
OUTPUT VOLTAGE								
V _{REF}	Reference Voltage	FB=VOUT, I _{OUT} =10mA, T _J =25°C	0.792	0.8	0.808	V		
	Output Voltage Accuracy	I _{OUT} =0~2A, T _J =-40~125°C	-1.5	-	+1.5	%		
	Load Regulation	I _{OUT} =0A~2A	-	0.06	0.25	%		
	Line Regulation	I _{OUT} =10mA, V _{CNTL} =3.0~5.5V	-0.15	-	+0.15	%/V		
	VOUT Pull-Low Resistance	V _{CNTL} =3.3V, V _{EN} =0V, V _{OUT} <0.8V	-	85	-	Ω		
	FB Input Current	V _{FB} =0.8V	-100	-	100	nA		
DROPOUT VOLTAGES								
V _{DROP}	VIN-to-VOUT Dropout Voltage	V _{CNTL} =4.5V, I _{OUT} =2A	V _{OUT} =2.5V	T _J =25°C	-	0.26	0.32	V
				T _J =-40~125°C	-	-	0.44	
			V _{OUT} =1.8V	T _J =25°C	-	0.25	0.30	
				T _J =-40~125°C	-	-	0.41	

Electrical Characteristics (Cont.)

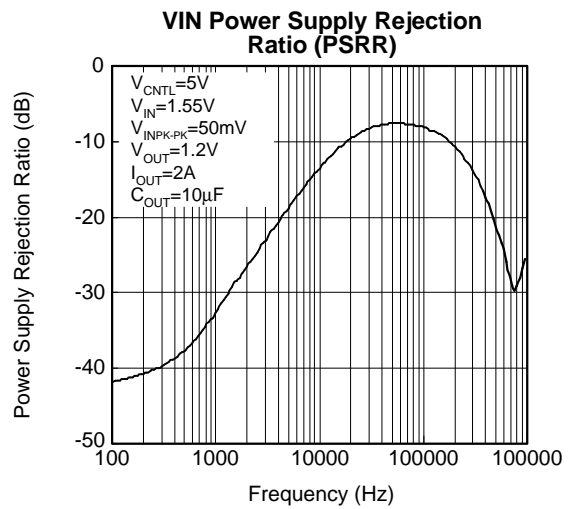
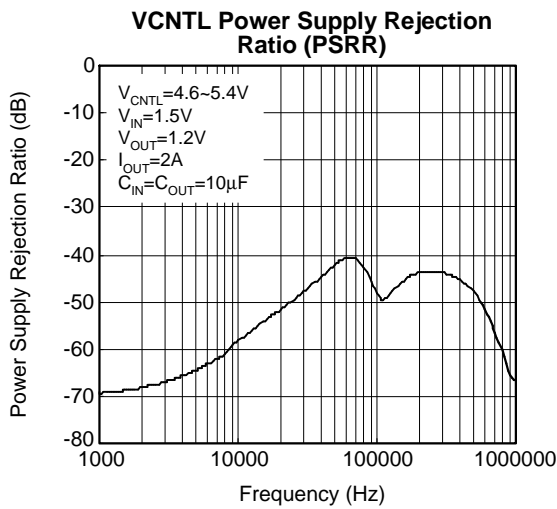
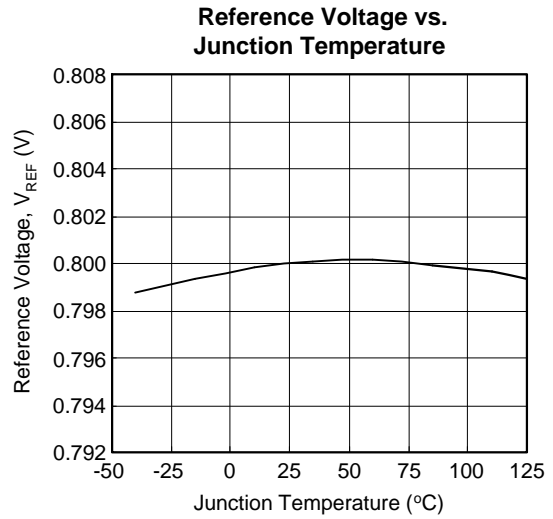
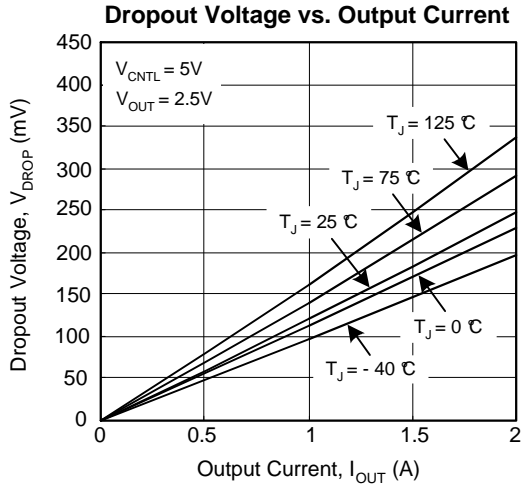
Refer to the typical application circuits. These specifications apply over $V_{\text{CNTL}}=5\text{V}$, $V_{\text{IN}}=1.8\text{V}$, $V_{\text{OUT}}=1.2\text{V}$, and $T_{\text{A}}=-40\sim 85^{\circ}\text{C}$, unless otherwise specified. Typical values are at $T_{\text{J}}=25^{\circ}\text{C}$.

Symbol	Parameter	Test Conditions	APL5620			Unit		
			Min.	Typ.	Max.			
DROPOUT VOLTAGES (CONT.)								
V_{DROP}	VIN-to-VOUT Dropout Voltage	$V_{\text{CNTL}}=4.5\text{V}$, $I_{\text{OUT}}=2\text{A}$	$V_{\text{OUT}}=1.2\text{V}$	$T_{\text{J}}=25^{\circ}\text{C}$	-	0.24	0.29	V
				$T_{\text{J}}=-40\sim 125^{\circ}\text{C}$	-	-	0.39	
PROTECTIONS								
I_{LIM}	Current-Limit Level		$T_{\text{J}}=25^{\circ}\text{C}$	3.0	3.6	4.3	A	
			$T_{\text{J}}=-40\sim 125^{\circ}\text{C}$	2.5	-	-		
I_{SHORT}	Short Current-Limit Level	$V_{\text{FB}}<0.2\text{V}$	-	0.8	-	A		
	Short Current-Limit Blanking Time	From beginning of soft-start	0.6	1.6	-	ms		
T_{SD}	Thermal Shutdown Temperature	T_{J} rising	-	170	-	$^{\circ}\text{C}$		
	Thermal Shutdown Hysteresis		-	50	-	$^{\circ}\text{C}$		
ENABLE AND SOFT-START								
	EN Logic High Threshold Voltage	V_{EN} rising	0.5	0.8	1.1	V		
	EN Hysteresis		-	80	-	mV		
	EN Pull-High Current	$\text{EN}=\text{GND}$	-	5	-	μA		
T_{SS}	Soft-Start Interval		0.3	0.6	1	ms		
POWER-OK AND DELAY								
V_{THPOK}	Rising POK Threshold Voltage	V_{FB} rising	90	92	94	%		
	POK Threshold Hysteresis		-	8	-	%		
	POK Pull-Low Voltage	POK sinks 5mA	-	0.25	0.4	V		
	POK Denounce Interval	$V_{\text{FB}}<\text{falling POK voltage threshold}$	-	10	-	μs		
	POK Delay Time	From $V_{\text{FB}}=V_{\text{THPOK}}$ to rising edge of the V_{POK}	1	2	4	ms		

Typical Operating Characteristics



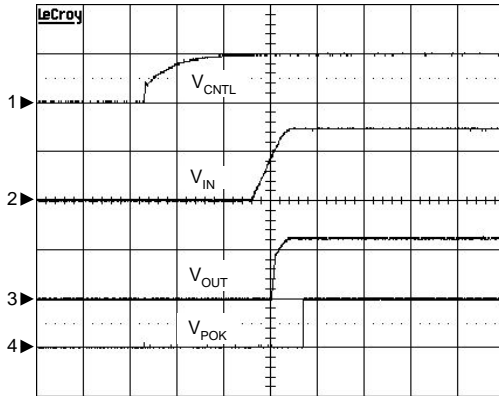
Typical Operating Characteristics (Cont.)



Operating Waveforms

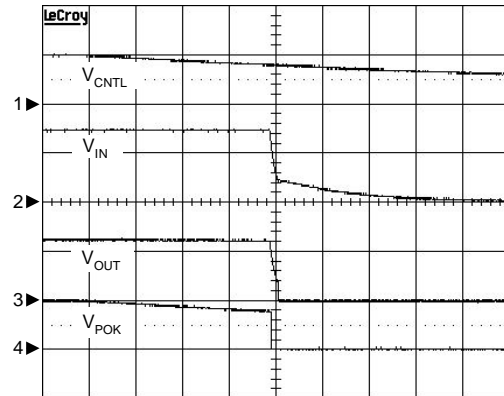
Refer to the typical application circuit. The test condition is $V_{IN}=1.5V$, $V_{CNTL}=5V$, $V_{OUT}=1.2V$, $T_A=25^\circ C$ unless otherwise specified.

Power On



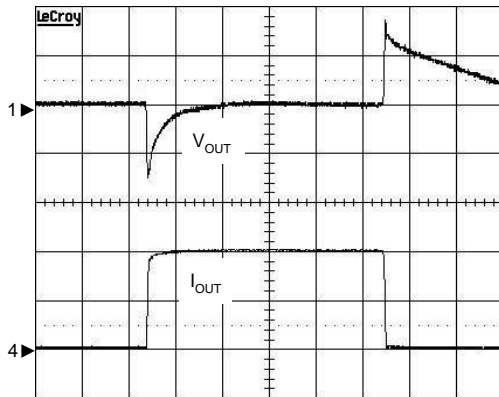
$C_{OUT}=10\mu F$, $C_{IN}=10\mu F$, $R_L=0.6\Omega$
 CH1: V_{CNTL} , 5V/Div, DC
 CH2: V_{IN} , 1V/Div, DC
 CH3: V_{OUT} , 1V/Div, DC
 CH4: V_{POK} , 5V/Div, DC
 TIME: 5ms/Div

Power Off



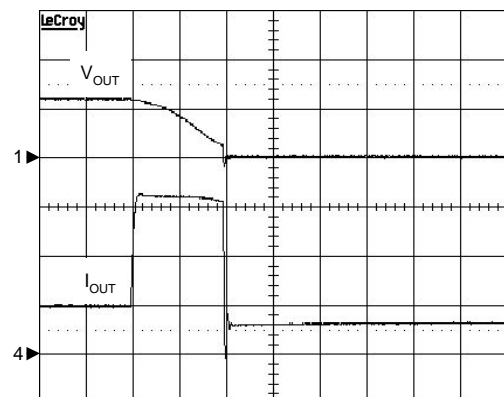
$C_{OUT}=10\mu F$, $C_{IN}=10\mu F$, $R_L=0.6\Omega$
 CH1: V_{CNTL} , 5V/Div, DC
 CH2: V_{IN} , 1V/Div, DC
 CH3: V_{OUT} , 1V/Div, DC
 CH4: V_{POK} , 5V/Div, DC
 TIME: 10ms/Div

Load Transient Response



$I_{OUT}=10mA$ to $2A$ to $10mA$ (rise / fall time = $1\mu s$)
 $C_{OUT}=10\mu F$, $C_{IN}=10\mu F$
 CH1: V_{OUT} , 50mV/Div, AC
 CH4: I_{OUT} , 1A/Div, DC
 TIME: 20 μs /Div

Over Current Protection

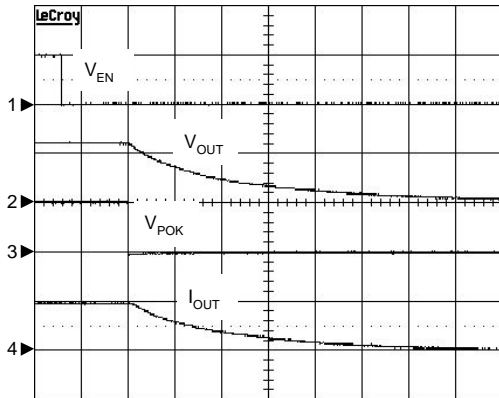


$C_{OUT}=10\mu F$, $C_{IN}=10\mu F$, $I_{OUT}=1A$ to $3.4A$
 CH1: V_{OUT} , 1V/Div, DC
 CH4: I_{OUT} , 1A/Div, DC
 TIME: 0.2ms/Div

Operating Waveforms (Cont.)

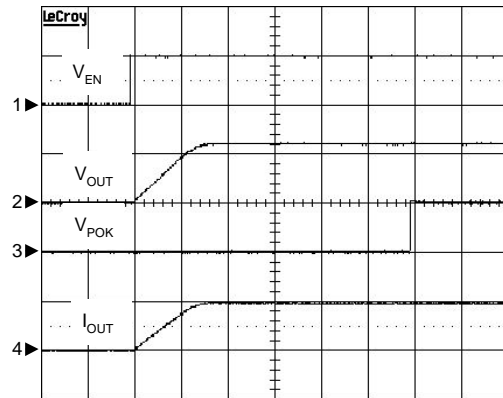
Refer to the typical application circuit. The test condition is $V_{IN}=1.5V$, $V_{CNTL}=5V$, $V_{OUT}=1.2V$, $T_A=25^\circ C$ unless otherwise specified.

Shutdown



$C_{OUT}=10\mu F$, $C_{IN}=10\mu F$, $R_L=0.6\Omega$
 CH1: V_{EN} , 5V/Div, DC
 CH2: V_{OUT} , 1V/Div, DC
 CH3: V_{POK} , 5V/Div, DC
 CH4: I_{OUT} , 2A/Div, DC
 TIME: 5µs/Div

Enable

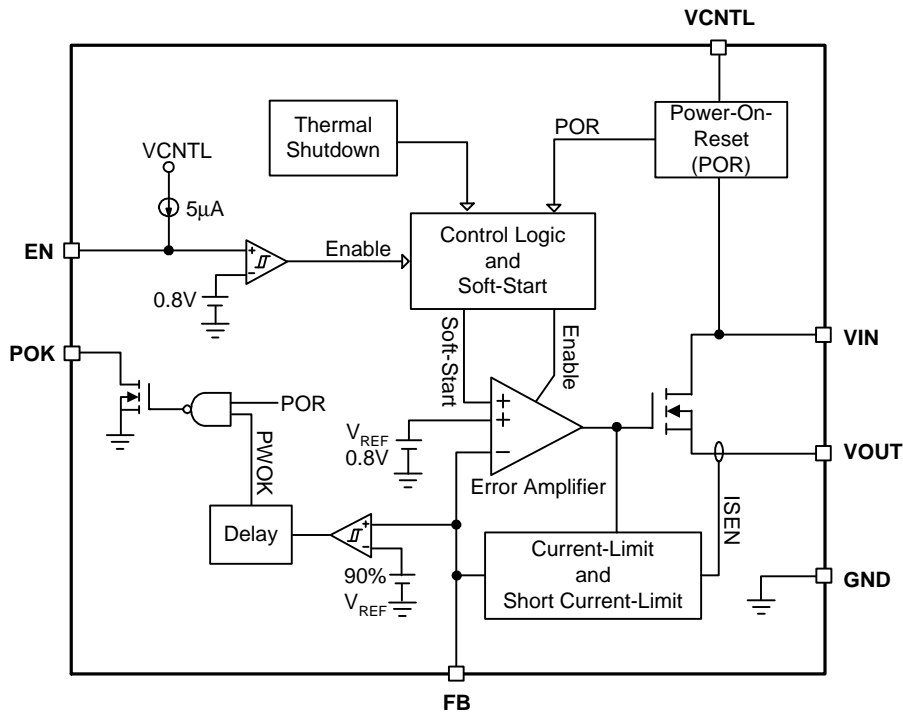


$C_{OUT}=10\mu F$, $C_{IN}=10\mu F$, $R_L=0.6\Omega$
 CH1: V_{EN} , 5V/Div, DC
 CH2: V_{OUT} , 1V/Div, DC
 CH3: V_{POK} , 5V/Div, DC
 CH4: I_{OUT} , 2A/Div, DC
 TIME: 0.5ms/Div

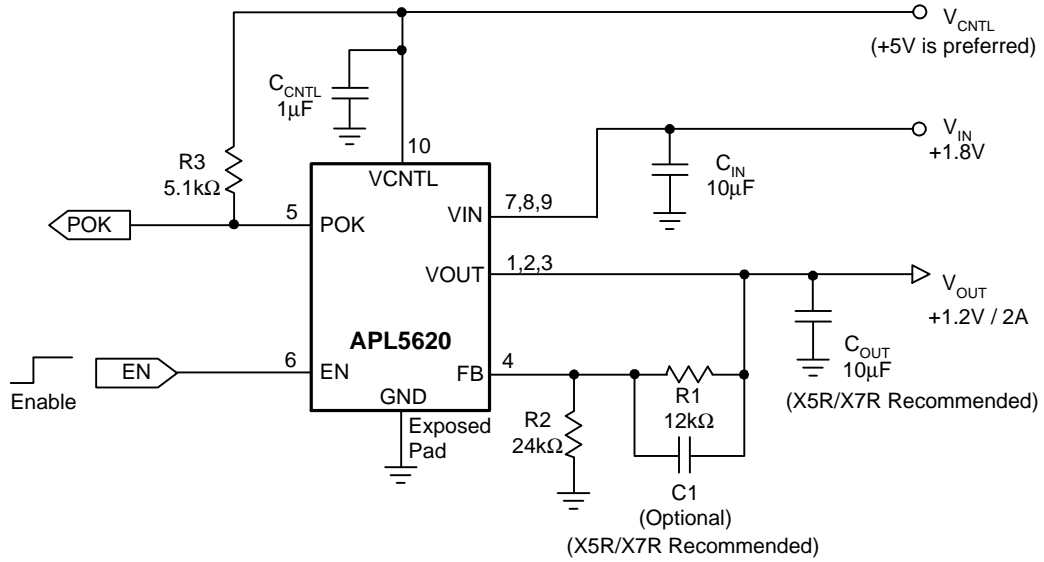
Pin Description

PIN		FUNCTION
NO.	NAME	
1,2,3	VOUT	Output pin of the regulator. Connecting this pin to load and output capacitors (10 μ F at least) is required for stability and improving transient response. The output voltage is programmed by the resistor-divider connected to FB pin. The VOUT can provide 2A (max.) load current to loads. During shutdown, the output voltage is quickly discharged by an internal pull-low MOSFET.
4	FB	Voltage Feedback Pin. Connecting this pin to an external resistor divider receives the feedback voltage of the regulator.
5	POK	Power-OK signal output pin. This pin is an open-drain output used to indicate the status of output voltage by sensing FB voltage. This pin is pulled low when output voltage is not within the Power-OK voltage window.
6	EN	Active-high enable control pin. Applying and holding the voltage on this pin below the enable voltage threshold shuts down the output. When re-enabled, the IC undergoes a new soft-start process. When left this pin open, an internal pull-up current (5 μ A typical) pulls the EN voltage and enables the regulator.
7,8,9	VIN	Main supply input pin for voltage conversions. A decoupling capacitor (\geq 10 μ F recommended) is usually connected near this pin to filter the voltage noise and improve transient response. The voltage on this pin is monitored for Power-On-Reset purpose
10	VCNTL	Bias voltage input pin for internal control circuitry. Connect this pin to a voltage source (+5V recommended). A decoupling capacitor (1 μ F typical) is usually connected near this pin to filter the voltage noise. The voltage at this pin is monitored for Power-On-Reset purpose.
Exposed Pad	GND	Ground pin of the circuitry. All voltage levels are measured with respect to this pin.

Block Diagram



Typical Application Circuit



10µF: GRM31MR60J106KE19 Murata

Function Description

Power-On-Reset

A Power-On-Reset (POR) circuit monitors both of supply voltages on VCNTL and VIN pins to prevent wrong logic controls. The POR function initiates a soft-start process after both of the supply voltages exceed their rising POR voltage thresholds during powering on. The POR function also pulls low the POK voltage regardless of the output status when one of the supply voltages falls below its falling POR voltage threshold.

Internal Soft-Start

An internal soft-start function controls rise rate of the output voltage to limit the current surge during start-up. The typical soft-start interval is about 0.6ms.

Output Voltage Regulation

An error amplifier working with a temperature-compensated 0.8V reference and an output NMOS regulates output to the preset voltage. The error amplifier is designed with high bandwidth and DC gain provides very fast transient response and less load regulation. It compares the reference with the feedback voltage and amplifies the difference to drive the output NMOS which provides load current from VIN to VOUT.

Current-Limit Protection

The APL5620 monitors the current flowing through the output NMOS and limits the maximum current to prevent load and APL5620 from damaging during current overload conditions.

Short Current-Limit Protection

The short current-limit function reduces the current-limit level down to 0.8A (typical) when the voltage on FB pin falls below 0.2V (typical) during current overload or short-circuit conditions.

The short current-limit function is disabled for successful start-up during soft-start.

Thermal Shutdown

A thermal shutdown circuit limits the junction temperature of APL5620. When the junction temperature exceeds +170°C, a thermal sensor turns off the output NMOS, allowing the device to cool down. The regulator regulates the output again through initiation of a new soft-start process after the junction temperature cools by 50°C, resulting in a pulsed output during continuous thermal overload conditions. The thermal shutdown is designed with a 50°C hysteresis to lower the average junction temperature during continuous thermal overload conditions, extending lifetime of the device.

For normal operation, the device power dissipation should be externally limited so that junction temperatures will not exceed +125°C.

Enable Control

The APL5620 has a dedicated enable pin (EN). A logic low signal applied to this pin shuts down the output. Following a shutdown, a logic high signal re-enables the output through initiation of a new soft-start cycle. When left open, this pin is pulled up by an internal current source (5 μ A typical) to enable normal operation. It's not necessary to use an external transistor to save cost.

Power-OK and Delay

The APL5620 indicates the status of the output voltage by monitoring the feedback voltage (V_{FB}) on FB pin. As the V_{FB} rises and reaches the rising Power-OK voltage threshold (V_{THPOK}), an internal delay function starts to work. At the end of the delay time, the IC turns off the internal NMOS of the POK to indicate that the output is ok. As the V_{FB} falls and reaches the falling Power-OK voltage threshold, the IC turns on the NMOS of the POK (after a debounce time of 10 μ s typical).

Application Information

Power Sequencing

The power sequencing of VIN and VCNTL is not necessary to be concerned. However, do not apply a voltage to VOUT for a long time when the main voltage applied at VIN does not present. The reason is the internal parasitic diode from VOUT to VIN conducts and dissipates power without protections due to the forward-voltage.

Output Capacitor

The APL5620 requires a proper output capacitor to maintain stability and improve transient response. The output capacitor selection is dependent upon ESR (equivalent series resistance) and capacitance of the output capacitor over the operating temperature.

Ultra-low-ESR capacitors (such as ceramic chip capacitors) and low-ESR bulk capacitors (such as solid tantalum, POSCap, and Aluminum electrolytic capacitors) can all be used as output capacitors.

During load transients, the output capacitors which is depending on the stepping amplitude and slew rate of load current, are used to reduce the slew rate of the current seen by the APL5620 and help the device to minimize the variations of output voltage for good transient response. For the applications with large stepping load current, the low-ESR bulk capacitors are normally recommended.

Decoupling ceramic capacitors must be placed at the load and ground pins as close as possible and the impedance of the layout must be minimized.

Input Capacitor

The APL5620 requires proper input capacitors to supply current surge during stepping load transients to prevent the input voltage rail from dropping. Because the parasitic inductor from the voltage sources or other bulk capacitors to the VIN pin limit the slew rate of the surge currents, more parasitic inductance needs more input capacitance.

Ultra-low-ESR capacitors (such as ceramic chip capacitors) and low-ESR bulk capacitors (such as solid tantalum, POSCap, and Aluminum electrolytic capacitors) can all be used as an input capacitor of VIN. For most applications, the recommended input capacitance of VIN is 10 μ F at least. However, if the drop of the input voltage

is not cared, the input capacitance can be less than 10 μ F. More capacitance reduces the variations of the supply voltage on VIN pin.

Setting The Output Voltage

The output voltage is programmed by the resistor divider connected to FB pin. The preset output voltage is calculated by the following equation :

$$V_{OUT} = 0.8 \cdot \left(1 + \frac{R1}{R2} \right) \quad \dots\dots\dots (V)$$

where R1 is the resistor connected from VOUT to FB with Kelvin sensing connection and R2 is the resistor connected from FB to GND. A bypass capacitor(C1) may be connected with R1 in parallel to improve load transient response and stability.

Layout Consideration (See Figure 1)

1. Please solder the Exposed Pad on the system ground pad on the top-layer of PCBs. The ground pad must have wide size to conduct heat into the ambient air through the system ground plane and PCB as a heat sink.
2. Please place the input capacitors for VIN and VCNTL pins near the pins as close as possible for decoupling high-frequency ripples.
3. Ceramic decoupling capacitors for load must be placed near the load as close as possible for decoupling high-frequency ripples.
4. To place APL5620 and output capacitors near the load reduces parasitic resistance and inductance for excellent load transient response.
5. The negative pins of the input and output capacitors and the GND pad must be connected to the ground plane of the load.
6. Large current paths, shown by bold lines on the figure 1, must have wide tracks.
7. Place the R1, R2, and C1 (option) near the APL5620 as close as to avoid noise coupling.
8. Connect the ground of the R2 to the GND pad by using a dedicated track.
9. Connect the one pin of the R1 to the load for Kelvin sensing.
10. Connect one pin of the C1 (option) to the VOUT pin for reliable feedback compensation.

Application Information (Cont.)

Layout Consideration (See Figure 1) (Cont.)

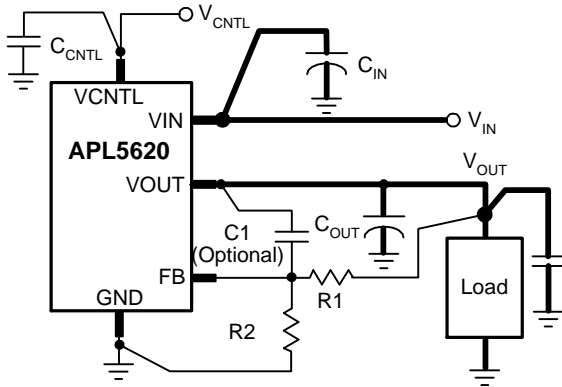


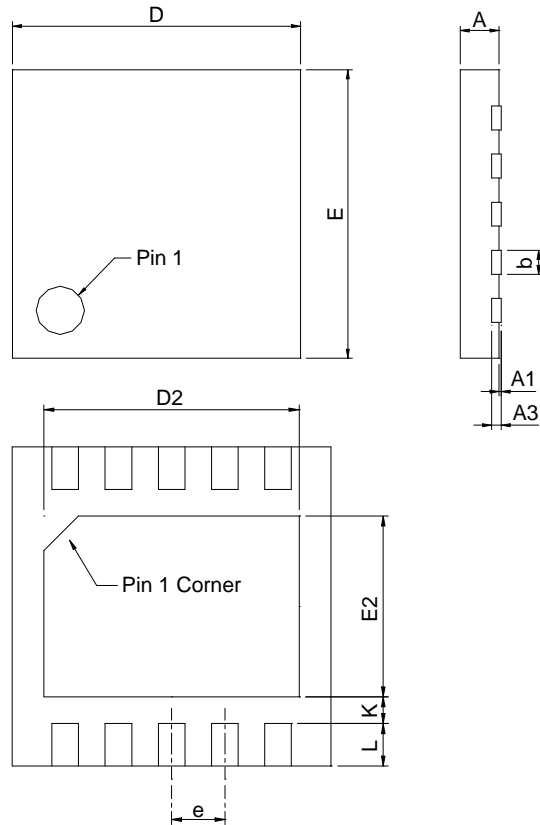
Figure 1.

Thermal Consideration

The TDFN3x3-10 is a cost-effective package featuring a small size and a bottom exposed pad to minimize the thermal resistance of the package, being applicable to high current applications. The exposed pad must be soldered to the top-layer ground plane. It is recommended to connect the top-layer ground pad to the internal ground plan by using vias. The copper of the ground plane on the top-layer conducts heat into the PCB and ambient air. Please enlarge the area of the top-layer pad and the ground plane to reduce the case-to-ambient resistance (θ_{CA}).

Package Information

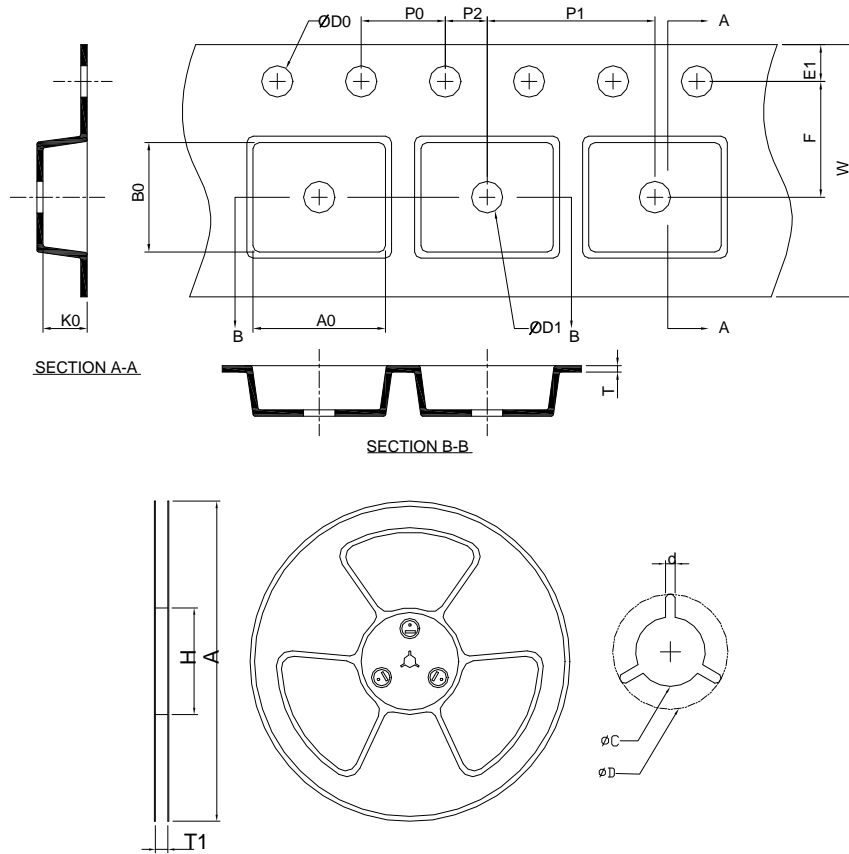
TDFN3x3-10



TDFN3x3-10	TDFN3x3-10			
	MILLIMETERS		INCHES	
	MIN.	MAX.	MIN.	MAX.
A	0.70	0.80	0.028	0.031
A1	0.00	0.05	0.000	0.002
A3	0.20 REF		0.008 REF	
b	0.18	0.30	0.007	0.012
D	2.90	3.10	0.114	0.122
D2	2.20	2.70	0.087	0.106
E	2.90	3.10	0.114	0.122
E2	1.40	1.75	0.055	0.069
e	0.50 BSC		0.020 BSC	
L	0.30	0.50	0.012	0.020
K	0.20		0.008	

Note : 1. Followed from JEDEC MO-229 VEED-5.

Carrier Tape & Reel Dimensions



Application	A	H	T1	C	d	D	W	E1	F
TDFN3x3-10	330.0 ±2.00	50 MIN.	12.4+2.00 -0.00	13.0+0.50 -0.20	1.5 MIN.	20.2 MIN.	12.0 ±0.30	1.75 ±0.10	5.5 ±0.05
	P0	P1	P2	D0	D1	T	A0	B0	K0
	4.0 ±0.10	8.0 ±0.10	2.0 ±0.05	1.5+0.10 -0.00	1.5 MIN.	0.6+0.00 -0.40	3.30 ±0.20	3.30 ±0.20	1.30 ±0.20

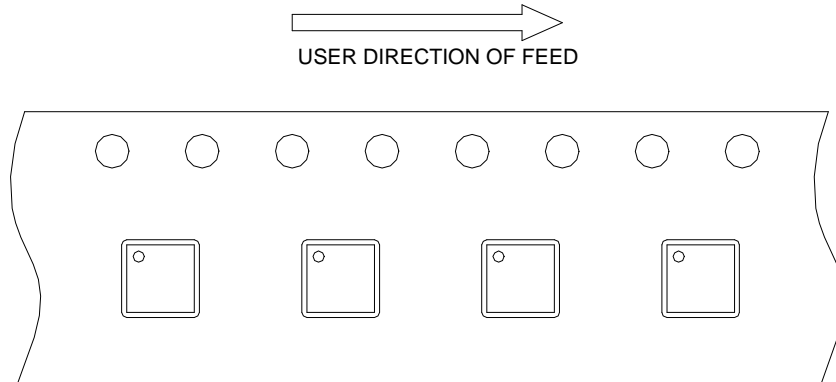
(mm)

Devices Per Unit

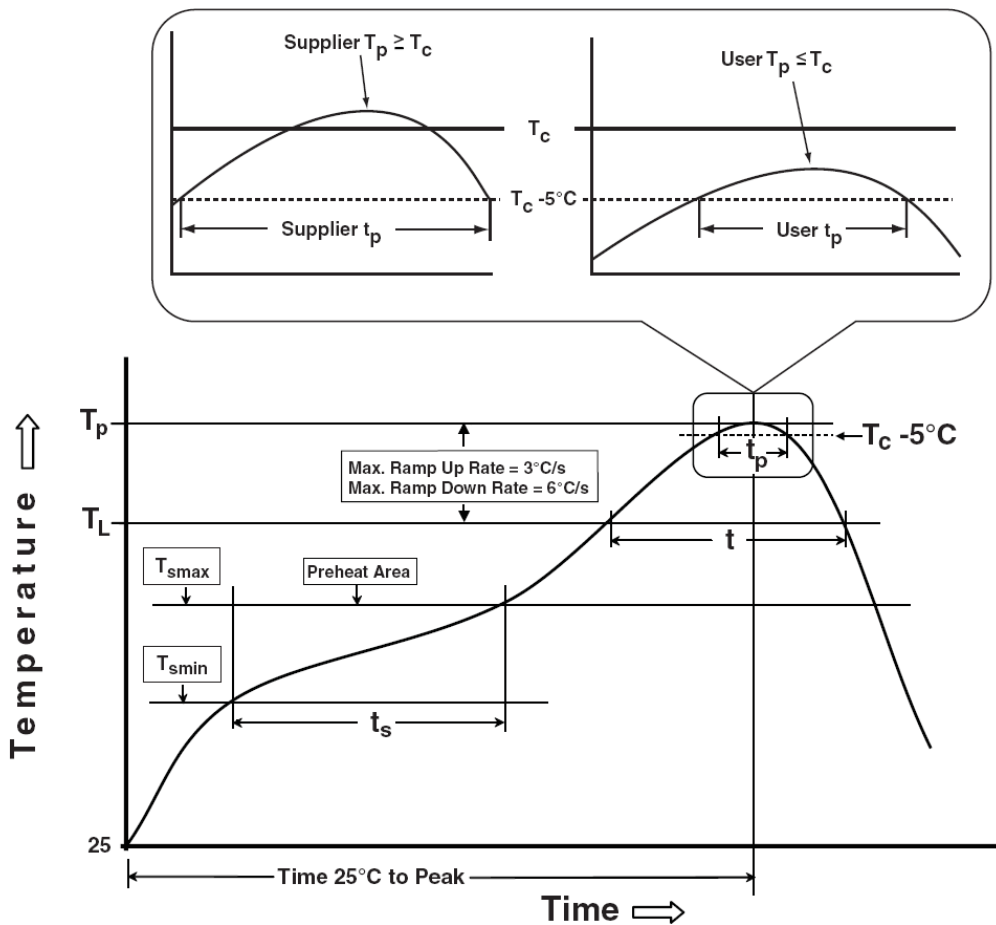
Package Type	Unit	Quantity
TDFN3x3-10	Tape & Reel	3000

Taping Direction Information

TDFN3x3-10



Classification Profile



Classification Reflow Profiles

Profile Feature	Sn-Pb Eutectic Assembly	Pb-Free Assembly
Preheat & Soak		
Temperature min (T_{smin})	100 °C	150 °C
Temperature max (T_{smax})	150 °C	200 °C
Time (T_{smin} to T_{smax}) (t_s)	60-120 seconds	60-120 seconds
Average ramp-up rate (T_{smax} to T_p)	3 °C/second max.	3°C/second max.
Liquidous temperature (T_L)	183 °C	217 °C
Time at liquidous (t_L)	60-150 seconds	60-150 seconds
Peak package body Temperature (T_p)*	See Classification Temp in table 1	See Classification Temp in table 2
Time (t_p)** within 5°C of the specified classification temperature (T_c)	20** seconds	30** seconds
Average ramp-down rate (T_p to T_{smax})	6 °C/second max.	6 °C/second max.
Time 25°C to peak temperature	6 minutes max.	8 minutes max.
* Tolerance for peak profile Temperature (T_p) is defined as a supplier minimum and a user maximum.		
** Tolerance for time at peak profile temperature (t_p) is defined as a supplier minimum and a user maximum.		

Table 1. SnPb Eutectic Process – Classification Temperatures (T_c)

Package Thickness	Volume mm ³ <350	Volume mm ³ ≥350
<2.5 mm	235 °C	220 °C
≥2.5 mm	220 °C	220 °C

Table 2. Pb-free Process – Classification Temperatures (T_c)

Package Thickness	Volume mm ³ <350	Volume mm ³ 350-2000	Volume mm ³ >2000
<1.6 mm	260 °C	260 °C	260 °C
1.6 mm – 2.5 mm	260 °C	250 °C	245 °C
≥2.5 mm	250 °C	245 °C	245 °C

Reliability Test Program

Test item	Method	Description
SOLDERABILITY	JESD-22, B102	5 Sec, 245°C
HOLT	JESD-22, A108	1000 Hrs, Bias @ $T_j=125^\circ\text{C}$
PCT	JESD-22, A102	168 Hrs, 100%RH, 2atm, 121°C
TCT	JESD-22, A104	500 Cycles, -65°C~150°C
HBM	MIL-STD-883-3015.7	VHBM 2KV
MM	JESD-22, A115	VMM 200V
Latch-Up	JESD 78	10ms, 1 _{tr} 100mA

Customer Service

Anpec Electronics Corp.

Head Office :

No.6, Dusing 1st Road, SBIP,

Hsin-Chu, Taiwan, R.O.C.

Tel : 886-3-5642000

Fax : 886-3-5642050

Taipei Branch :

2F, No. 11, Lane 218, Sec 2 Jhongsing Rd.,

Sindian City, Taipei County 23146, Taiwan

Tel : 886-2-2910-3838

Fax : 886-2-2917-3838