

## Single-Phase Full-Wave Motor Driver with Built-in Hall Sensor

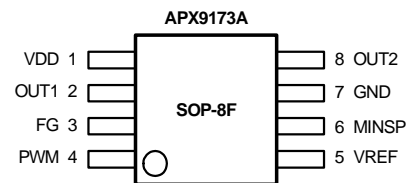
### Features

- **On-chip Hall Sensor**
- **Silent Driver**
- **High Sensitivity Hall Effect Sensor IC:  $\pm 15G$**
- **Built-in Reverse Voltage Protection Circuit.**
- **Built-in Soft Start Function**
- **Built-in PWM Soft Switch Function**
- **Built-in Variable Speed Curve Function**
- **Built-in Current Limit Circuit**
- **Built-in Lock Protection and Auto Restart Function**
- **Built-In Quick Start Function**
- **FG (Rotation Speed Detection) Output**
- **Built-in Thermal Protection Circuit**

### General Description

The APX9173A is an integrated Hall Effect Sensor ICs designed for electric commutation of single-phase DC brushless motor applications. The device is built-in lock protection. When fan is locked, the device will enter the lock protection mode. It is also with thermal shutdown function. The APX9173A is available in a low cost SOP-8F package.

### Pin Configuration



### Applications

- **Brushless DC Fans**
- **Brushless DC Motors**

### Ordering and Marking Information

<p>APX9173A <span style="border: 1px solid black; padding: 2px;">□□□-□□□</span></p> <p> <span style="border: 1px solid black; padding: 2px;">□□□</span> Assembly Material  <span style="border: 1px solid black; padding: 2px;">□□□</span> Handling Code  <span style="border: 1px solid black; padding: 2px;">□□□</span> Temperature Range  <span style="border: 1px solid black; padding: 2px;">□□□</span> Package Code         </p>	<p>Package Code            KE : SOP-8F            Operating Ambient Temperature Range            I : -40 to 105 °C            Handling Code            TR : Tape &amp; Reel            Assembly Material            G : Halogen and Lead Free Device</p>
<p>APX9173A KE : <span style="border: 1px solid black; padding: 2px;">APX9173A XXXXX</span> Top Side</p> <p style="text-align: center;">1                      4</p>	<p>Bottom Side <span style="border: 1px solid black; padding: 2px;">XXXXX</span> - Date Code</p> <p style="text-align: center;">4                      1</p>

Note: ANPEC lead-free products contain molding compounds/die attach materials and 100% matte tin plate termination finish; which are fully compliant with RoHS. ANPEC lead-free products meet or exceed the lead-free requirements of IPC/JEDEC J-STD-020C for MSL classification at lead-free peak reflow temperature. ANPEC defines "Green" to mean lead-free (RoHS compliant) and halogen free (Br or Cl does not exceed 900ppm by weight inhomogeneous material and total of Br and Cl does not exceed 1500ppm by weight).

ANPEC reserves the right to make changes to improve reliability or manufacturability without notice, and advise customers to obtain the latest version of relevant information to verify before placing orders.

## Absolute Maximum Ratings

Symbol	Parameter	Rating	Unit
V <sub>DD</sub>	VDD Pin Supply Voltage (VDD to GND)	-20 to 20	V
V <sub>OUT</sub>	Output Pin (OUT1, OUT2) Output Voltage	-0.3 to 20	V
I <sub>OUT</sub>	Output Pin (OUT1, OUT2) Maximum Output Current – Continuous Hold	500 1000	mA
V <sub>PWM</sub>	PWM Pin Input Voltage	-0.3 to 20	V
	FG Pin Output Voltage	-0.3 to 20	V
I <sub>FG</sub>	FG Pin Output Sink Current	10	mA
I <sub>VREF</sub>	VREF Pin Maximum Output Current	10	mA
V <sub>MINSP</sub>	MINSP Pin Input Voltage (MINSP to GND)	0 to 7	V
T <sub>J</sub>	Maximum Junction Temperature	150	°C
T <sub>STG</sub>	Storage Temperature	-65 to 150	°C
T <sub>SOR</sub>	Maximum Lead Soldering Temperature, 10 Seconds	260	°C

Note1: Stresses above those listed in "Absolute Maximum Ratings" may cause permanent damage to the device.

## Thermal Characteristics

Symbol	Parameter	Typical Value	Unit
R <sub>TH,JA</sub>	Thermal Resistance-Junction to Ambient SOP-8F	156.25	°C/W
P <sub>D</sub>	Power Dissipation, T <sub>A</sub> = 25°C SOP-8F	800	mW

Note 2: The maximum allowable power dissipation at any T<sub>A</sub> (ambient temperature) is calculated using:  $P_D = (T_J - T_A) / R_{TH,JA}$ ; T<sub>J</sub> = 150°C. Exceeding the maximum allowable power dissipation will result in excessive die temperature.

## Recommended Operation Conditions

Symbol	Parameter	Range	Unit
V <sub>DD</sub>	VDD Supply Voltage	3.3 to 16	V
V <sub>MINSP</sub>	MINSP Pin Input Voltage (MINSP to GND)	0 to V <sub>VREF</sub>	V
T <sub>A</sub>	Operating Ambient Temperature	-40 to 105	°C
T <sub>J</sub>	Junction Temperature	-40 to 125	°C

## Electrical Characteristics ( $T_A=25^{\circ}\text{C}$ , $V_{DD}=12\text{V}$ , unless otherwise noted)

Symbol	Parameter	Test Condition	APX9173A			Unit
			Min.	Typ.	Max.	
<b>SUPPLY CURRENT</b>						
$I_{DD}$	Operation Mode	$V_{DD}=12\text{V}$ , No Load	-	6	9	mA
$I_{LOCK}$	Lock Mode	$V_{DD}=12\text{V}$ , No Load	-	5.5	8.5	mA
$I_{STANDBY}$	Standby Mode	PWM=GND	-	300	450	$\mu\text{A}$
$I_{INR}$	Reverse Supply current	$V_{DD}=-20\text{V}$	-		1	mA
$V_{VREF}$	VREF Pin Output Voltage	$I_{VREF}=5\text{mA}$	2.3	2.45	2.6	V
<b>OUTPUT DRIVERS</b>						
$V_O$	Output Driver Saturation Voltage	$I_{OUT}=300\text{mA}$ , Upper and Lower total	-	0.285	-	V
$V_{FG}$	FG Pin Low Voltage	$I_{FG}=5\text{mA}$	-	0.1	0.15	V
$I_{FGL}$	FG Pin Off Leakage Current	$V_{FG}=12\text{V}$	-	<0.1	1	$\mu\text{A}$
$V_{FGT}$	FG Pin Current Limit Trigger Level	$B < \text{BRP}$	1	-	1.5	V
<b>PWM CONTROL</b>						
$V_{PWMH}$	Pulse Mode PWM Input High Level Voltage		2	-	5	V
$V_{PWML}$	Pulse Mode PWM Input Low Level Voltage		-0.3	-	0.8	V
$F_{PWM}$	PWM Input Frequency		0.3	-	50	KHz
$F_{OUT}$	Output PWM Switch Frequency		25	31.5	38	KHz
$R_{PWM\_PU}$	PWM Internal pull-up Resistor	PWM=GND	-	16	-	K $\Omega$
$V_{PWM\_PU}$	PWM Internal pull-up Voltage		-	4.8	-	V
$D_{ODCR}$	OUTPUT Duty Change rate		-	90	-	%/sec
$DC_{GAP}$	Duty Cycle Mismatch	$DC_{GAP} = DC_{OUT} - DC_{Target}$	-2	-	2	%
<b>LOCK PROTECTION</b>						
$T_{LDT}$	Lock Protection Detection Time		-	0.3	-	sec
$T_{ON}$	Lock Protection Detection On Time		0.6	0.75	0.9	sec
$T_{OFF}$	Lock Protection Detection Off Time		3.6	4.5	5.4	sec
$T_{QS}$	Quick Start Enable Time		-	60	-	ms
<b>Soft Start</b>						
$T_{SS}$	Soft Start Time	PWM Input Duty=100%, (Dout 30 to 100%)	-	0.75	-	sec
$D_{SS}$	Soft Start Initial Duty		-	30	-	%
<b>CURRENT PROTECTION</b>						
$I_{LIM1}$	Current Limit Level of Start up		-	0.55	-	A
$I_{LIM2}$	Current Limit Level of Normal Operation		-	1.1	-	A
<b>THERMAL PROTECTION</b>						
	Over-Thermal Protection Temperature		-	170	-	$^{\circ}\text{C}$
	Over -Thermal Protection Hysteresis		-	30	-	$^{\circ}\text{C}$
	Thermal Protection release time		-	2	-	sec

## Magnetic Characteristics (T<sub>A</sub>=25°C, V<sub>DD</sub>=12V, unless otherwise noted)<sup>Note 3</sup>

Symbol	Parameter	Test Conditions	APX9173A			Unit
			Min.	Typ.	Max.	
Bop	Magnetic Operation Point		0	15	30	Gauss
Brp	Magnetic Release Point		-30	-15	-0	Gauss
Bhys	Magnetic Hysteresis		-	30	-	Gauss

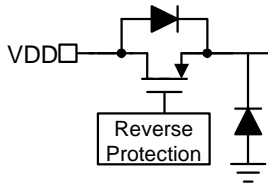
Note 3: The Magnetic of fan recommend more than 35 gauss.

## Pin Description

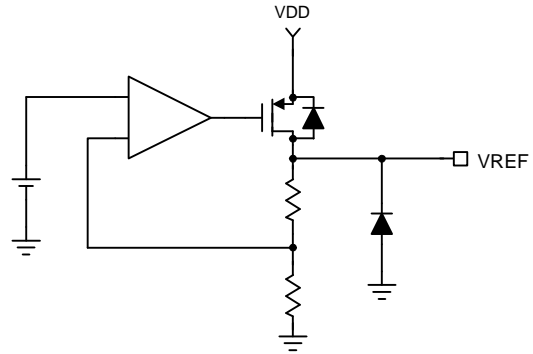
PIN		Function
NO.	NAME	
1	VDD	Supply Voltage Input
2	OUT1	H-bridge output connection. The output stage is a H-bridge formed by four transistors and four-protection diode for switching applications.
3	FG	Rotation Speed Output. This is an open-drain output.
4	PWM	PWM Signal Input Terminal.
5	VREF	Regulator Output.
6	MNSP	Minimum Output Duty setting.
7	GND	Ground of the IC.
8	OUT2	H-bridge output connection. The output stage is a H-bridge formed by four transistors and four-protection diode for switching applications.

## I/O Equivalent Circuit

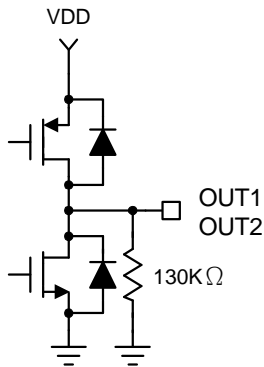
(1) Power supply input pin (VDD)



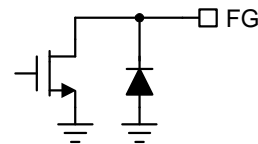
(2) Regulator output pin (VREF)



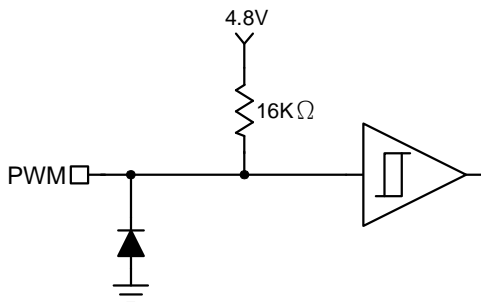
(3) Driver output pin (OUT1, OUT2)



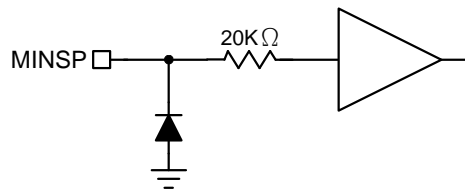
(4) Rotation speed output pin (FG)



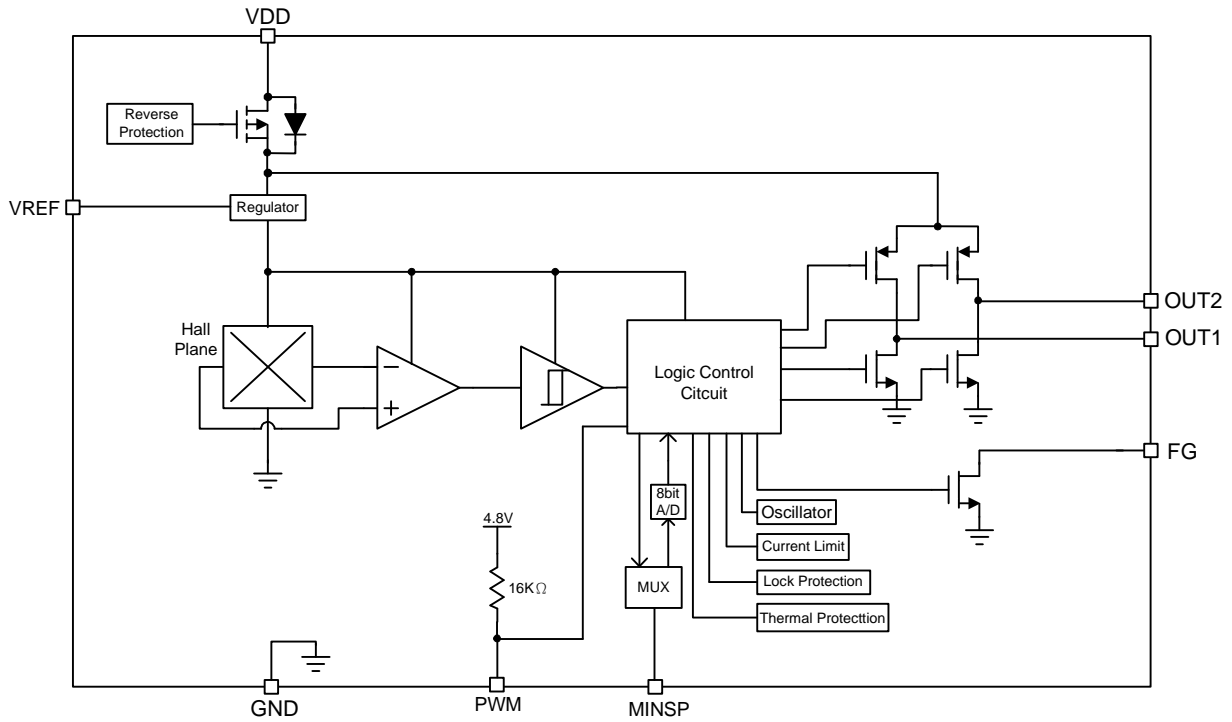
(5) PWM speed control input pin (PWM)



(6) Input and output duty setting input pin (MINSP)

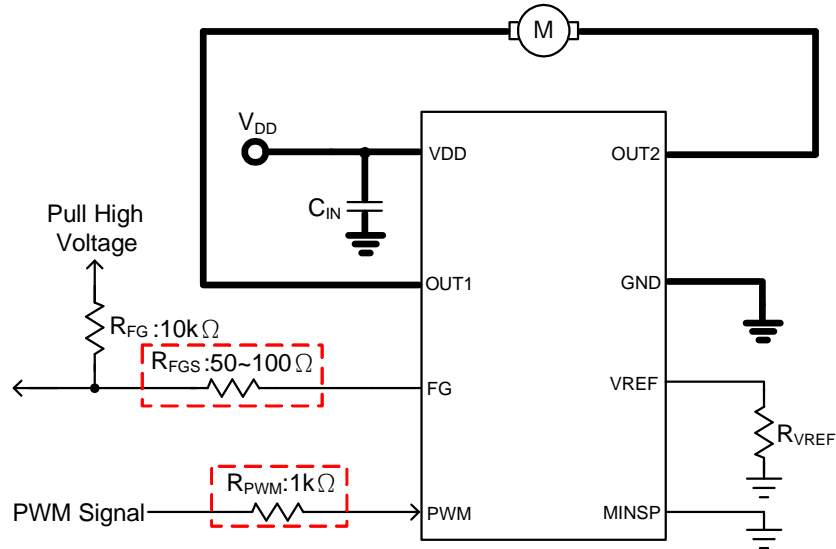


Block Diagram



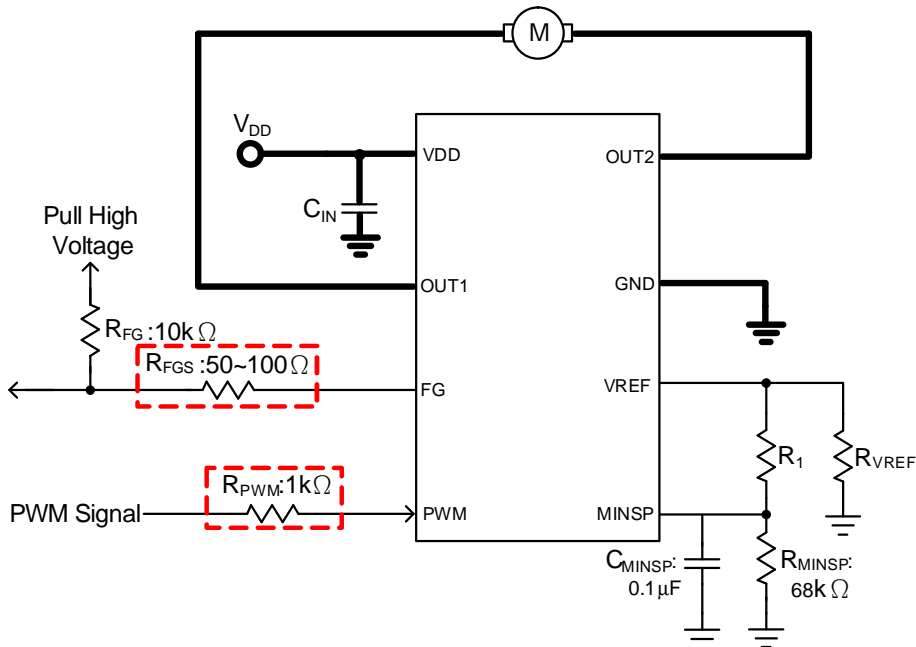
## Typical Application Circuits

(1) Shutdown Mode Output Duty Control Circuit



Note:  $R_{P\text{PWM}}$  and  $R_{F\text{GS}}$  are optional to protect internal circuit for abnormal voltage stress.

(2) Minimum Speed Mode Output Duty Control Circuit

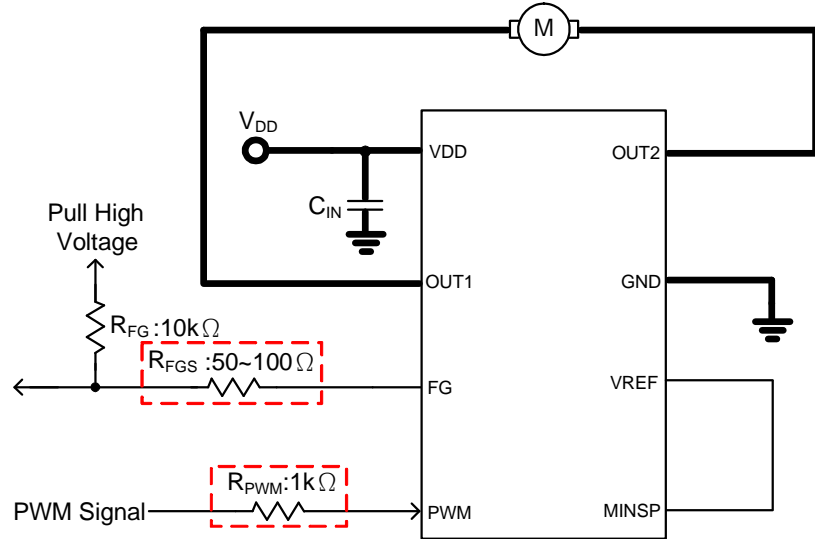


Note : The  $R_{\text{MINSP}} + R_1$  must more than 68 kΩ.

Note1:  $R_{P\text{PWM}}$  and  $R_{F\text{GS}}$  are optional to protect internal circuit for abnormal voltage stress.

Typical Application Circuits (Cont.)

(3) Linear Output Duty Control Circuit

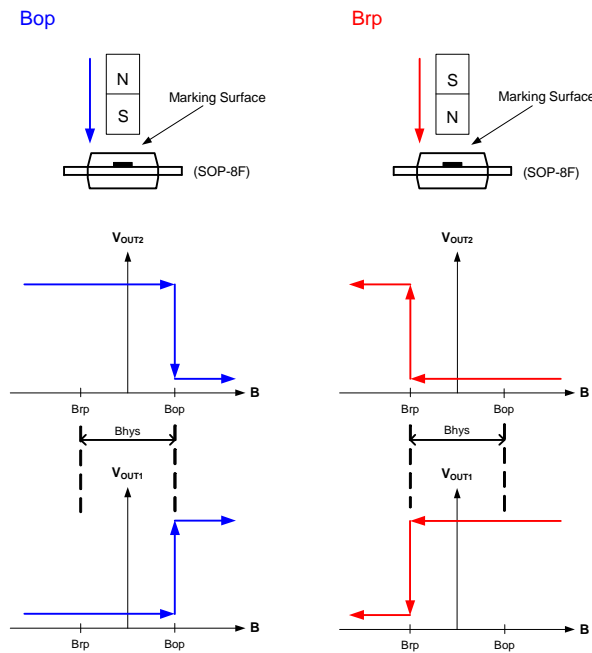


Note:  $R_{PWM}$  and  $R_{FGS}$  are optional to protect internal circuit for abnormal voltage stress.

## Function Description

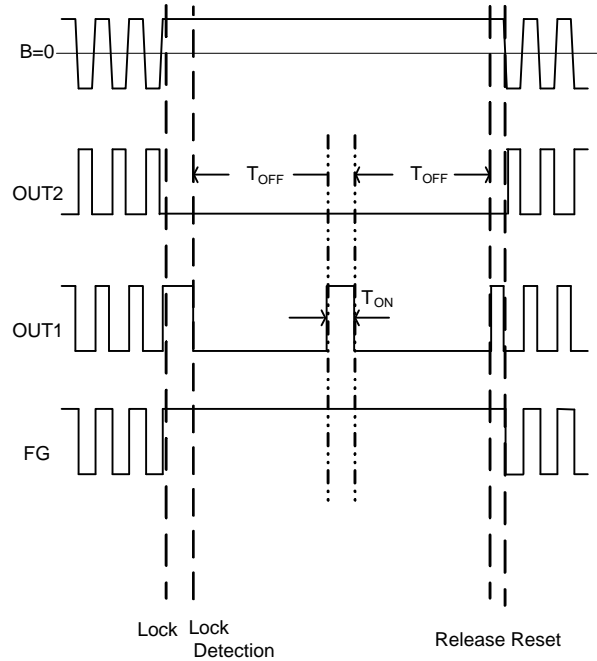
### Output Switch Principle

The APX9173A built in a Hall-effect sensor plane to sense the vertical magnetic flux density (B). There are two output drivers in APX9173A to drive single-phase DC brushless motor. When the N pole magnetic field close to the IC marking surface and the magnetic flux density higher than operate point (Brp), the OUT1 pin output will turn to LOW and the OUT2 pin output will turn to HIGH. When the N pole magnetic field far away the IC marking surface and S pole magnetic field close to the IC marking surface until the magnetic flux density higher than release point (Bop), the OUT1 pin output will turn HIGH and the OUT2 pin output will turn LOW.



### Lockup Protection and Automatic Restart

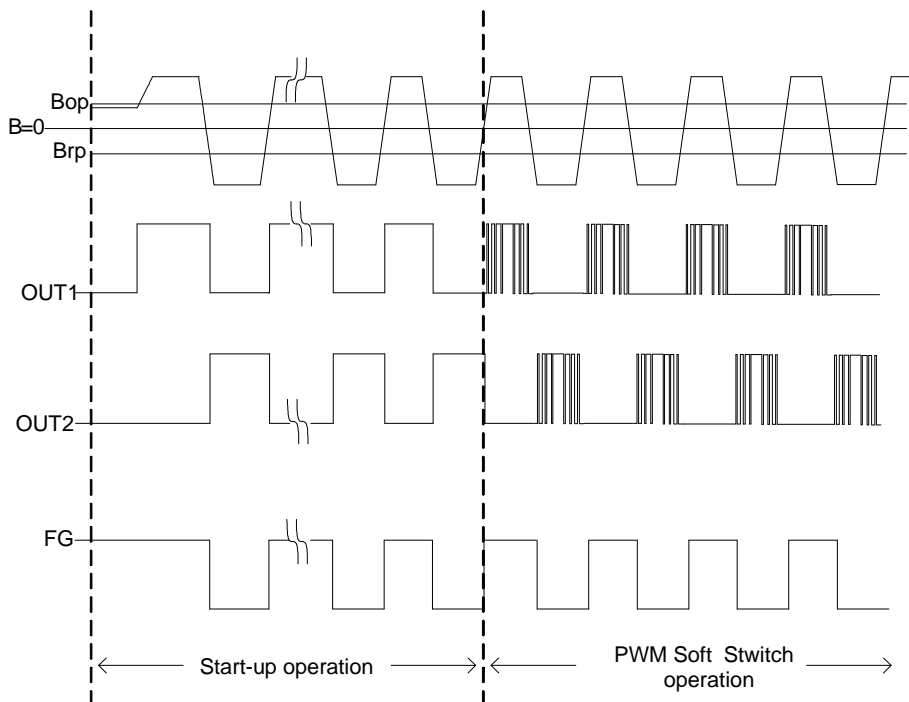
The APX9173A detects the rotation of the motor by internal hall sensor signal, and adjusts lock detection ON time ( $T_{ON}$ ) and lock detection OFF time ( $T_{OFF}$ ) by internal counter.



## Function Description(Cont.)

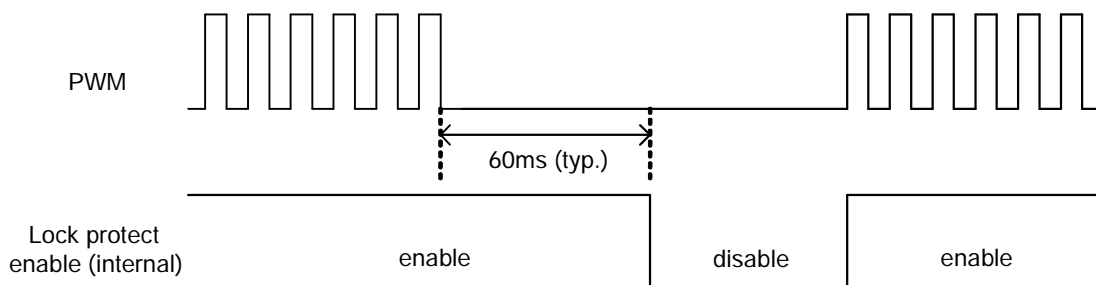
### PWM Soft-Switch Function

The APX9173A built in PWM soft-switch output control circuit to improve the vibration and noise of fan motor operation. At start-up operation, the APX9173A drive the output driver by square wave to force the fan motor start to rotate. After several square wave outputs, the internal PWM soft-switch control circuit will be enable to drive fan motor to improve vibration and noise.



### Quick Start and Standby Mode

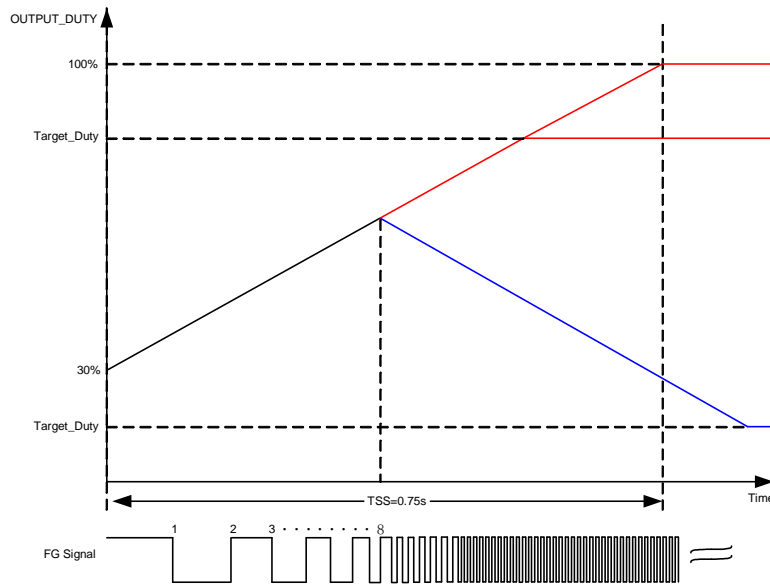
This IC would enter standby mode when the PWM input keeps low level for then 60ms (typ.). In standby mode, it will shutdown amplifier and FG. In standby mode, the lock protection function doesn't work, therefore, starting fan is unobstructed when releasing standby mode.



## Function Description(Cont.)

### Soft-Switch Function

The APX9173A provides the soft-start function to avoid peak current at power-on and lock-restart moments. The soft-start function initial duty is 30%, if hall sensor signal change eight times the duty will trace input target duty, else duty from 30% to 100% in 0.75 sec.



### Speed Control by Direct PWM Input Signal

The APX9173A has three types PWM speed control curve, it select by MINSP pin voltage setting. The first PWM speed curve (See Figure1: Shutdown mode Output Duty Control Curve), it can set up four types output duty slope by VREF pin output current ( $I_{VREF}$ ) decision. In this case, MINSP pin must connect to GND and the minimum output duty fix 10%. When PWM input duty is less than transition point, the output will keep minimum duty 10%, until the PWM input duty is less than SD- output will close. If PWM input duty is rising more than SD+, the output will startup.

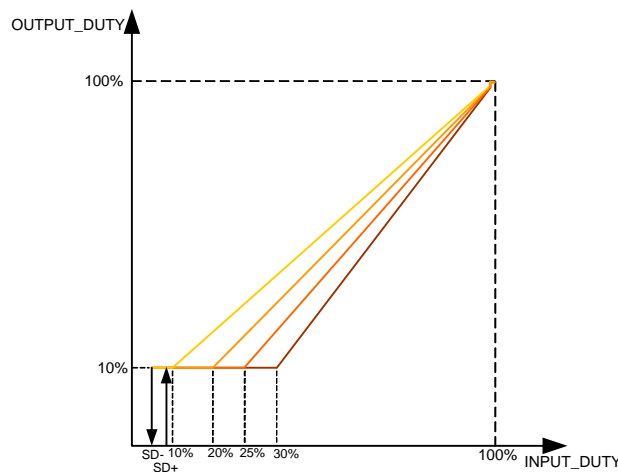


Figure1: Shutdown mode Output Duty Control Curve

Note: The SD- typical is 5.5% and the SD+ = SD- + 3.9%

### Function Description(Cont.)

The second PWM speed curve (See Figure2: Minimum speed mode Output Duty Control Curve), it also can set up four types output duty slope by VREF pin output current ( $I_{VREF}$ ) decision. In this case, MINSP can set up minimum output duty ( $DO_{MIN}$ ) and the range is GND+0.05V to VREF-0.3V. When PWM input duty is less than transition point, the output duty will keep minimum output duty.

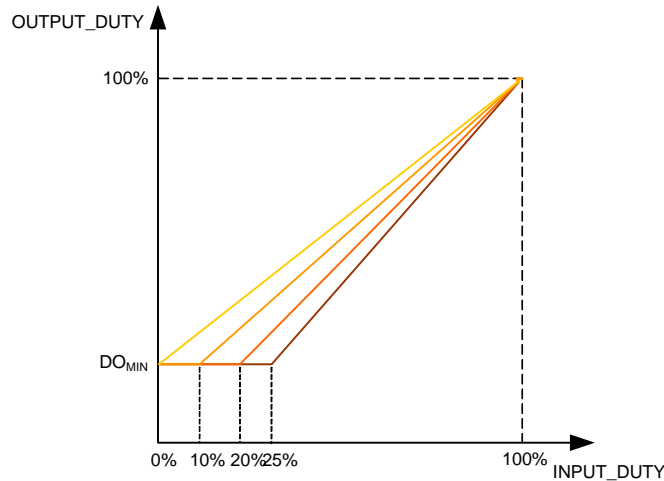


Figure 2: Minimum speed mode Output Duty Control Curve

Note:  $DO_{MIN} = \frac{V_{MINSP}}{V_{VREF}} \times 100\%$

The third PWM speed curve (See Figure3: Linear Output Duty Control Curve), it a linear slope type output duty. In this case, MINSP must connect to VREF pin. When PWM input duty is less than SD- the output will close, until PWM input duty is rising more than the SD+ the output will startup.

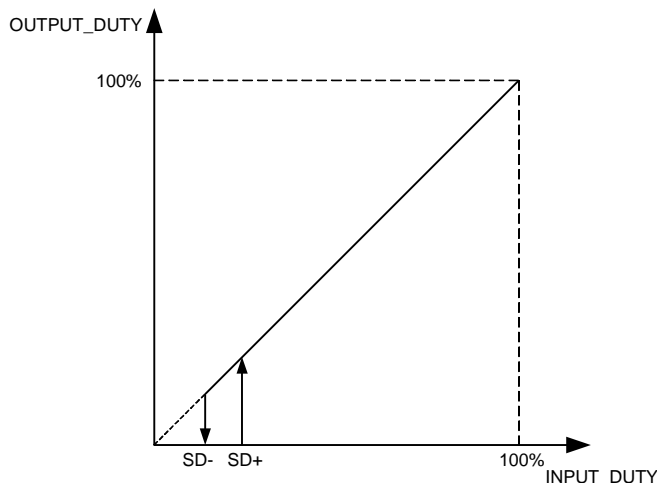


Figure3: Linear Output Duty Control Curve

Note: The SD- typical is 5.5% and the SD+ = SD- + 3.9%

## Function Description(Cont.)

The  $R_{VREF}$  recommend for setting up four types output duty slop, it is reference the table1.

Table1.  $R_{VREF}$  reference resistance.

$R_{VREF}$	TransitionPoint(Shut Down Mode)	Transition Point(Minimum Speed Mode)
OPEN( $I_{VREF}=0mA$ )	10%	10%
12k $\Omega$ ( $I_{VREF}=0.21mA$ )	20%	20%
4.7k $\Omega$ ( $I_{VREF}=0.53mA$ )	25%	25%
2.2k $\Omega$ ( $I_{VREF}=1.13mA$ )	30%	0%

### Current Limit

The APX9173A includes an internal current sense circuits for current limit. When the total current of output over the current limit level (1.1A), the high side driver will be turned off to stop supplying current to the motor until  $I_{OUT}<1.1A$  or re-power on. At Start up, the current limit level will decrease to 0.55A.

### FG Output

The FG pin is an open-drain output, connecting a pull up resistor to a high level voltage for the speed detection function. During the Lock Mode, the FG will always high (switch off). Open the terminal when not in use.

### Thermal Protection

The APX9173A has thermal protection. When internal junction temperature reaches 165°C, the output devices will be switched off. When the IC's junction temperature cools by 30°C and wait 2 second, the thermal sensor will turn the output devices on again, resulting in a pulsed output during continuous thermal protection.

## Truth Table

Input		Output			Mode
B	PWM	OUT1	OUT2	FG	
BOP	H	H	L	OFF	Operation Mode
BRP		L	H	L	
BOP	L	L	L	OFF	
BRP		L	L	L	
BOP	-	L	L	OFF	Lock Mode
BRP		L	L	OFF	
-	L	OFF	OFF	OFF	Standby Mode

---

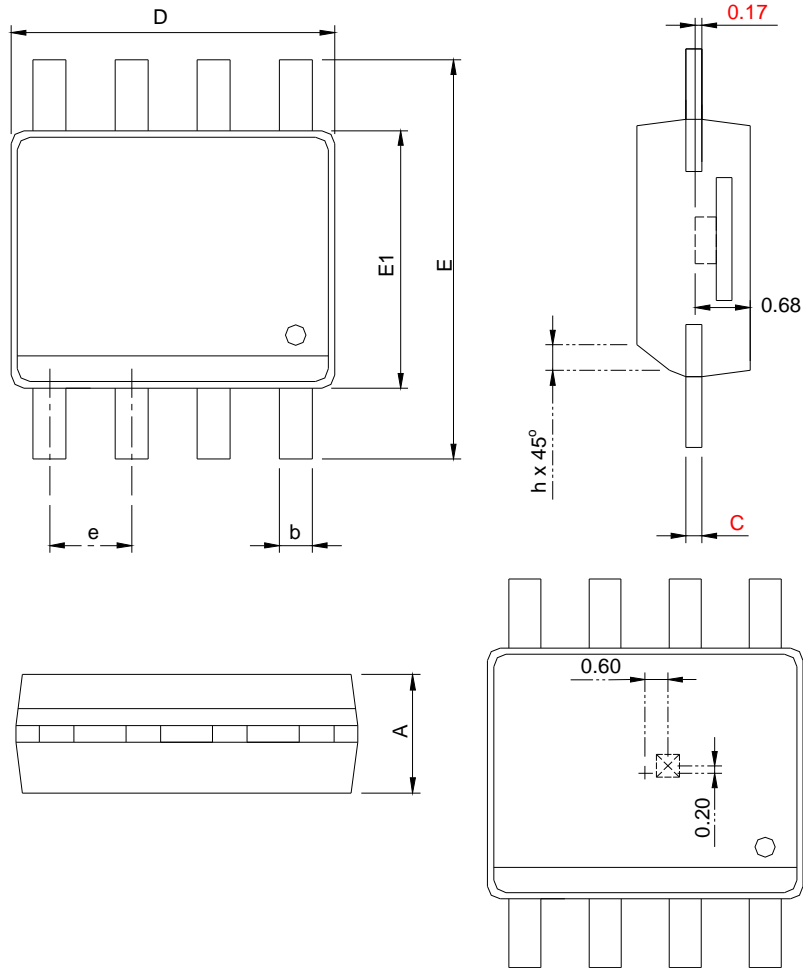
## Application Information

### Input Capacitor

The IC in order to noise reduction purpose, a capacitor ( $C_{IN}$ ) must connect between VDD and GND. It is the suggestion that  $C_{IN}$  should be placed as close as possible to the device VDD pin.

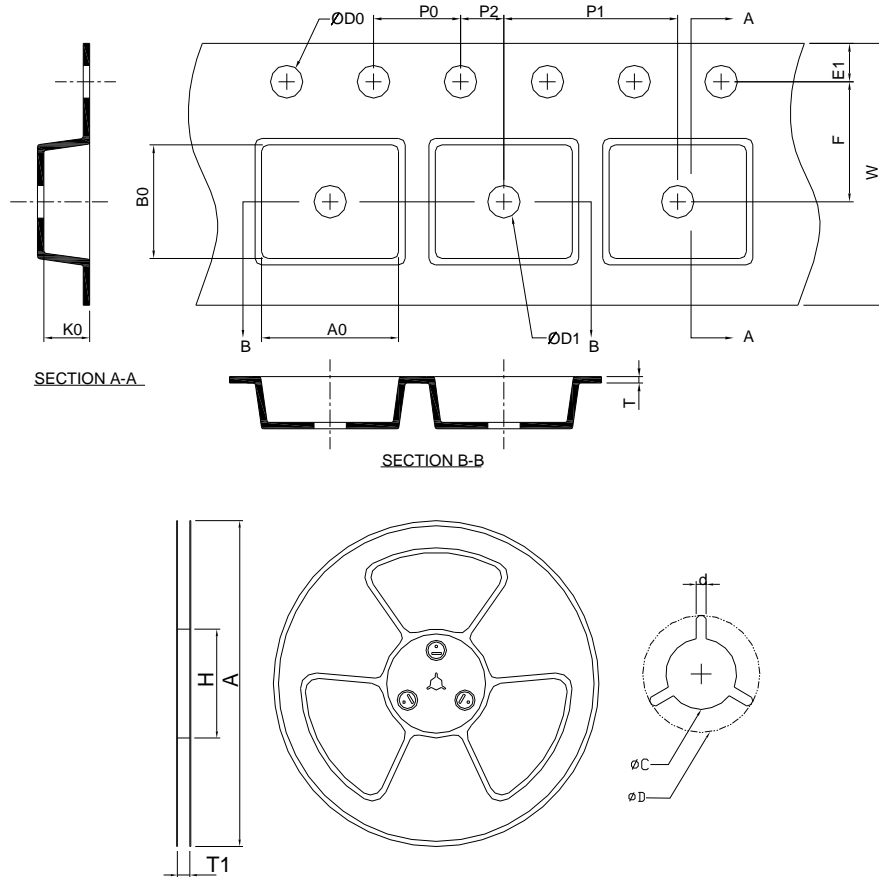
Package Information

SOP-8F



SYMBOL	SOP-8F			
	MILLIMETERS		INCHES	
	MIN.	MAX.	MIN.	MAX.
A		1.75		0.069
b	0.31	0.51	0.012	0.020
c	0.17	0.25	0.007	0.010
D	4.80	5.00	0.189	0.197
E	5.80	6.20	0.228	0.244
E1	3.80	4.00	0.150	0.157
e	1.27 BSC		0.050 BSC	
h	0.25	0.50	0.010	0.020

Carrier Tape & Reel Dimensions



Application	A	H	T1	C	d	D	W	E1	F
SOP-8F	330.0±2.00	50 MIN.	12.4+2.00 -0.00	13.0+0.50 -0.20	1.5 MIN.	20.2 MIN.	12.0±0.30	1.75±0.10	5.5±0.05
	P0	P1	P2	D0	D1	T	A0	B0	K0
	4.0±0.10	8.0±0.10	2.0±0.05	1.5+0.10 -0.00	1.5 MIN.	0.3±0.05	6.90±0.10	5.40±0.10	2.00±0.10

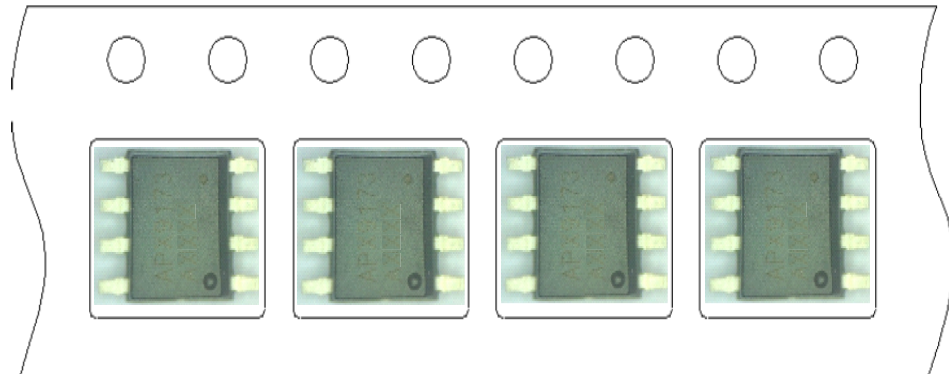
(mm)

Devices Per Unit

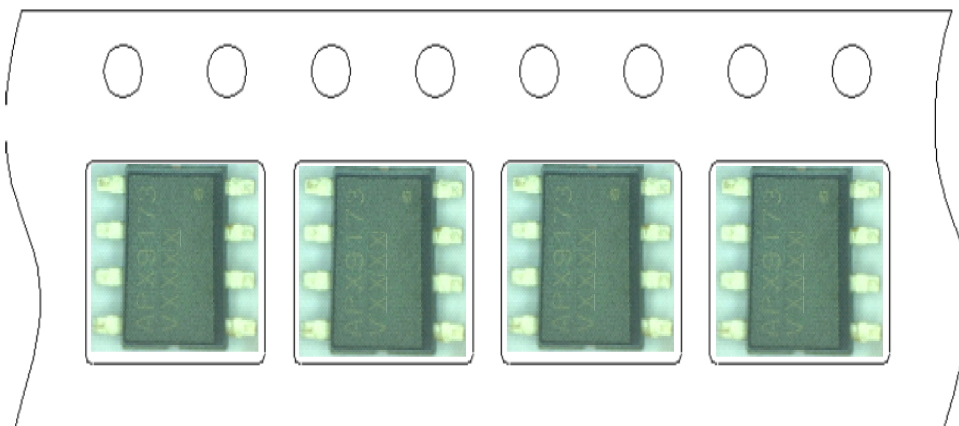
Package Type	Unit	Quantity
SOP-8F	Tape & Reel	2500

### Taping Direction Information

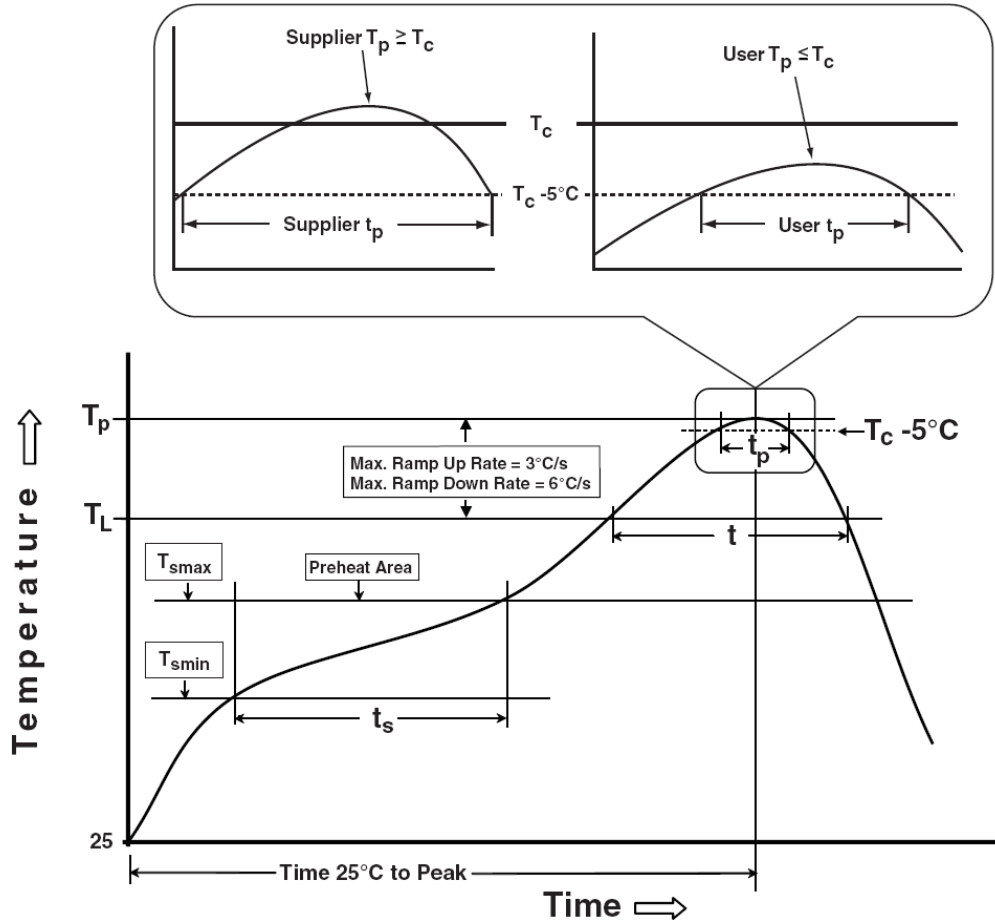
DATE CODE: AXXXX



DATE CODE: VXXXX



Classification Profile



### Classification Reflow Profiles

Profile Feature	Sn-Pb Eutectic Assembly	Pb-Free Assembly
<b>Preheat &amp; Soak</b> Temperature min ( $T_{smin}$ ) Temperature max ( $T_{smax}$ ) Time ( $T_{smin}$ to $T_{smax}$ ) ( $t_s$ )	100 °C 150 °C 60-120 seconds	150 °C 200 °C 60-120 seconds
Average ramp-up rate ( $T_{smax}$ to $T_p$ )	3 °C/second max.	3 °C/second max.
Liquidous temperature ( $T_L$ ) Time at liquidous ( $t_L$ )	183 °C 60-150 seconds	217 °C 60-150 seconds
Peak package body Temperature ( $T_p$ )*	See Classification Temp in table 1	See Classification Temp in table 2
Time ( $t_p$ )** within 5°C of the specified classification temperature ( $T_c$ )	20** seconds	30** seconds
Average ramp-down rate ( $T_p$ to $T_{smax}$ )	6 °C/second max.	6 °C/second max.
Time 25°C to peak temperature	6 minutes max.	8 minutes max.
* Tolerance for peak profile Temperature ( $T_p$ ) is defined as a supplier minimum and a user maximum. ** Tolerance for time at peak profile temperature ( $t_p$ ) is defined as a supplier minimum and a user maximum.		

Table 1. SnPb Eutectic Process – Classification Temperatures ( $T_c$ )

Package Thickness	Volume mm <sup>3</sup> <350	Volume mm <sup>3</sup> ≥350
<2.5 mm	235 °C	220 °C
≥2.5 mm	220 °C	220 °C

Table 2. Pb-free Process – Classification Temperatures ( $T_c$ )

Package Thickness	Volume mm <sup>3</sup> <350	Volume mm <sup>3</sup> 350-2000	Volume mm <sup>3</sup> >2000
<1.6 mm	260 °C	260 °C	260 °C
1.6 mm – 2.5 mm	260 °C	250 °C	245 °C
≥2.5 mm	250 °C	245 °C	245 °C

### Reliability Test Program

Test item	Method	Description
SOLDERABILITY	JESD-22, B102	5 Sec, 245°C
HOLT	JESD-22, A108	1000 Hrs, Bias @ $T_f=125^\circ\text{C}$
PCT	JESD-22, A102	168 Hrs, 100%RH, 2atm, 121°C
TCT	JESD-22, A104	500 Cycles, -65°C~150°C
HBM	MIL-STD-883-3015.7	VHBM ≥ 2KV
MM	JESD-22, A115	VMM ≥ 200V
Latch-Up	JESD 78	10ms, $1_{tr} \geq 100\text{mA}$

## Customer Service

**Anpec Electronics Corp.**

Head Office :

No.6, Dusing 1st Road, SBIP,  
Hsin-Chu, Taiwan  
Tel : 886-3-5642000  
Fax : 886-3-5642050

Taipei Branch :

2F, No. 11, Lane 218, Sec 2 Jhongsing Rd.,  
Sindian City, Taipei County 23146, Taiwan  
Tel : 886-2-2910-3838  
Fax : 886-2-2917-3838